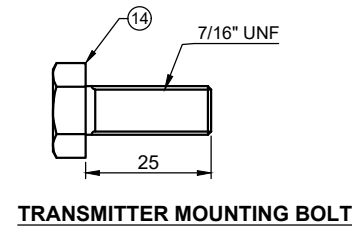
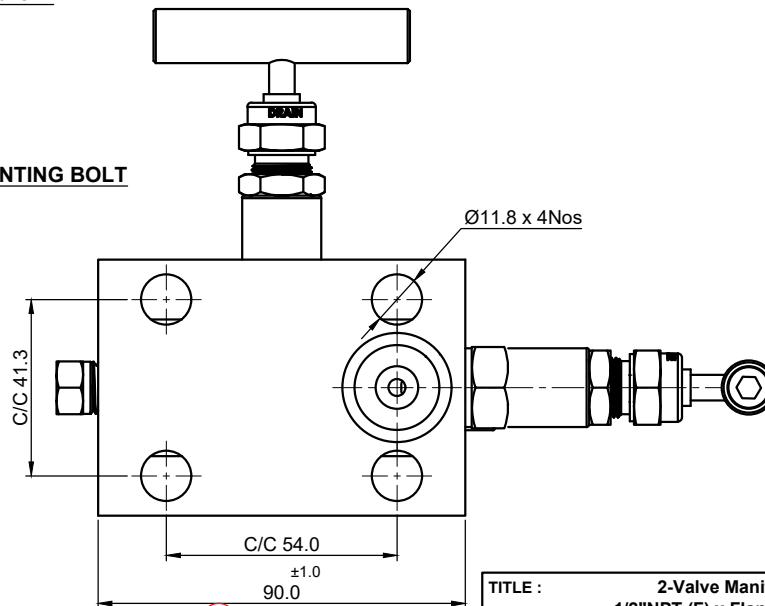
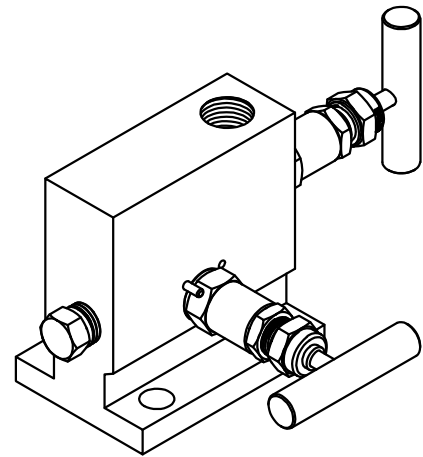


**BONNET ASSEMBLY**



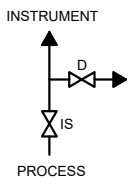
**TRANSMITTER MOUNTING BOLT**



(R1)

SR NO	PART NAME	MATERIAL	QTY.
14	HEX BOLT	SS	4
13	PLUG	ASTM A479 Gr 316	2
12	BODY	ASTM A182 Gr F316	1
11	LOCK PIN	SS	2
10	HANDLE SCREW	SS	2
9	HANDLE	SS	2
8	DUST CAP	PVC	2
7	PUSHER	ASTM A479 Gr 316	2
6	LOCK NUT	SS	2
5	BONNET	ASTM A479 Gr 316	2
4	WASHER	ASTM A479 Gr 316	4
3	PACKING	PTFE	2
2	SPINDLE	ASTM A479 Gr 316	2
1	SPINDLE TIP	ASTM A479 Gr 316	2

**FLOW DIAGRAM**



**ORIFICE SIZE:- Ø4.0mm**

MAX.WORKING PRESSURE 6000psig @ 100°F		
	HYDRO	PNEU.
SHELL	9000 psig	--
SEAT	6600 psig	100 psig
M.W.TEMP.: 232°C (450°F)		

**TITLE :** 2-Valve Manifold, 'T' Type,  
1/2" NPT (F) x Flange (IEC 61518-B)

**DRG NO.:** TTS-304T-22B11

**REV.**  
01

	SCALE	DRAWN	RMV
	NTS	CHECKED	PDM
	APPROVED	MRD	
	DATE	15/02/2022	

# TTS

ALL DIMENSIONS ARE IN MM. DIMENSIONS ARE SUBJECT TO CHANGE WITHOUT PRIOR NOTICE. THIS DOCUMENT IS THE PROPERTY OF TTS VALVES. NO EXPLOITATION OR RELEASE OF ANY TEXT CONTAINED HEREIN OR RELATING TO THIS DOCUMENT IS PERMITTED IN ANY FORM WITHOUT THE WRITTEN CONSENT OF TTS.