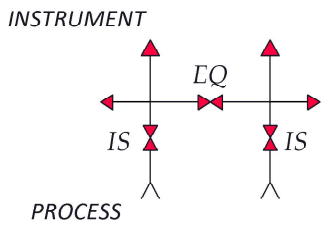
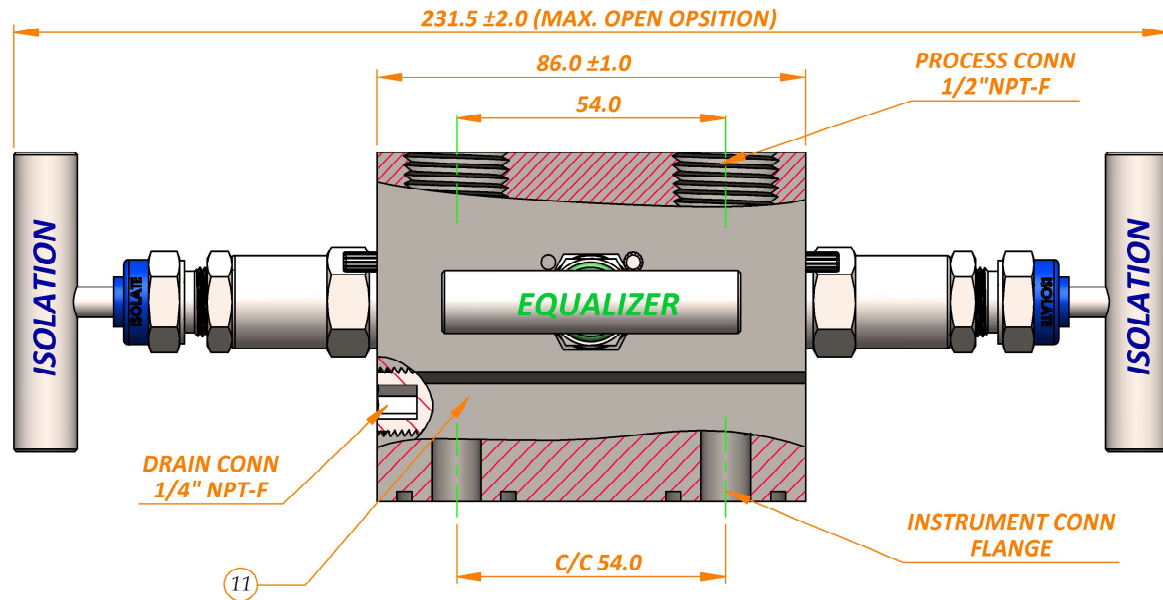
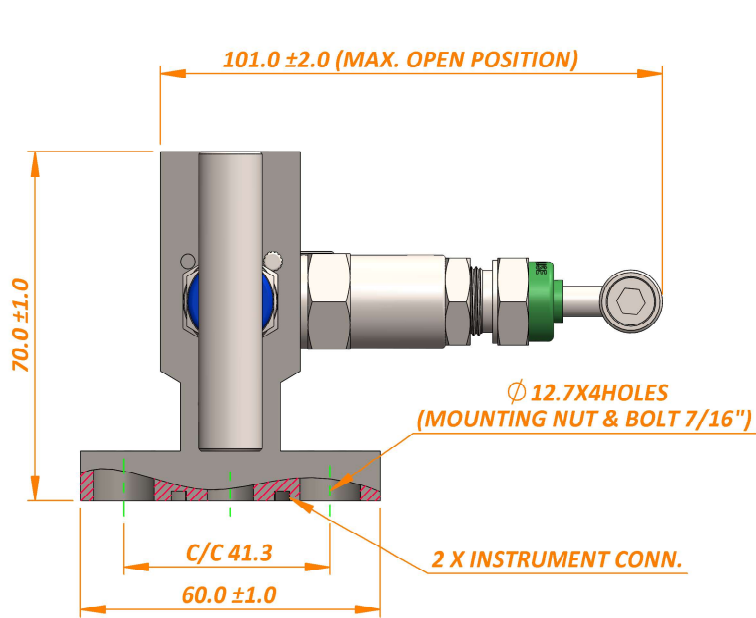


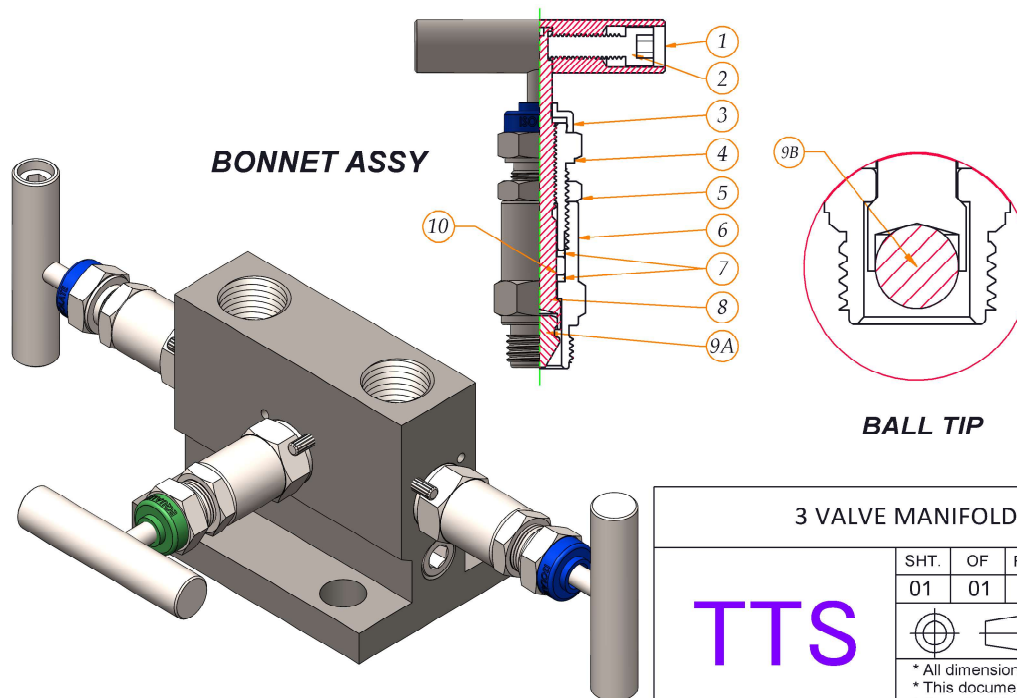
REV	DATE	DESCRIPTION	DRAWN	APPROVED
00	02/05/19	Drawing Issued	VSM	MRD



Data Sheet

Connections:
 Process : 1/2" NPT-F
 Instrument : FLG.
 Drain : 1/4" NPT-F

 MAWP : 413 barg @ 38°C
 Hydro-Testing(Shell) Pressure: 620 barg
 Hydro-Testing(Seat) Pressure: 455 barg
 Pneumatic(N2) Test Pressue: 70Kg/cm2
 Tesing in Accordance with MSS-SP-99
 Screwed Bonnet Design



ITEM NO.	PART NUMBER	MATERIAL	QTY.
11	VALVE BODY	ASTM A182 F316	1
10	PACKING	PTFE	3
9B	BALL TIP	ASTM A276 Gr316	3
9A	SPINDLE TIP	ASTM A276 Gr316	3
8	SPINDLE	ASTM A276 Gr316	3
7	PACKING WASHER	ASTM A276 Gr316	6
6	BONNET	ASTM A276 Gr316	3
5	LOCK NUT	SS	3
4	CHECK NUT	ASTM A276 Gr316	3
3	DUST CAP	PVC	3
2	HANDLE SCREW	SS	3
1	HANDLLE	SS	3

3 VALVE MANIFOLD PIPE TO FLANGE

All Dimensions are in mm. Unless otherwise stated.

Material : S5316

DRAWING NO. :-

TTS-304T-32B11

TTS

SHT.	OF	REV.	Drawn/Date	VSM - 02/05/2019
01	01	00	Checked/Date	MRD - 02/05/2019
			Approved/Date	RND - 02/05/2019
			SCALE	NTS

* All dimensions are in mm. Dimensions for reference only and are subject to change without Prior Notice.
 * This document is the property of TTS Valve Technologies Sdn. Bhd No exploitation or release of any text
 * Contained herein or relating to this document is permitted in any form without the written consent of TTS.

PATH - E:\TTS Development\Design\Valve Manifold\3 VALVE MANIFOLD