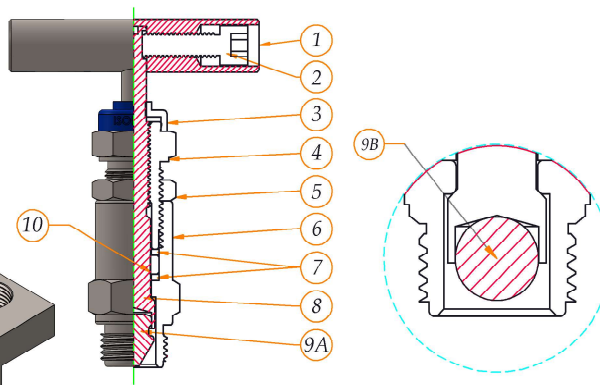
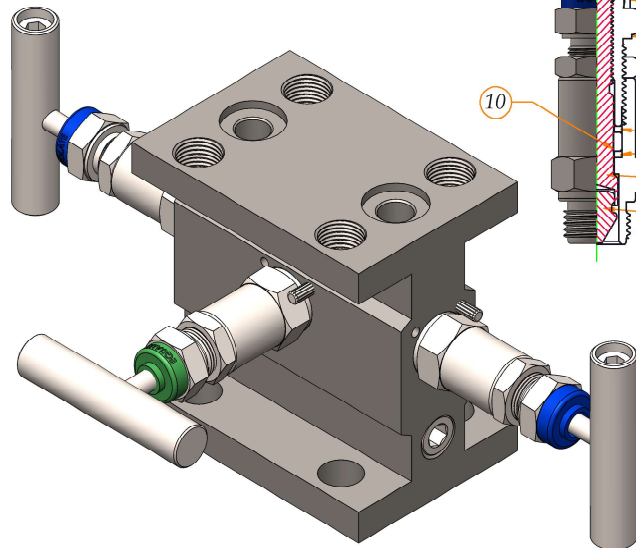
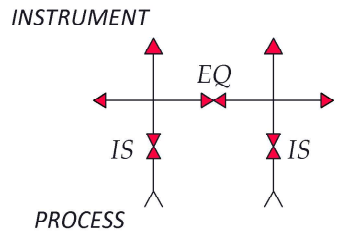
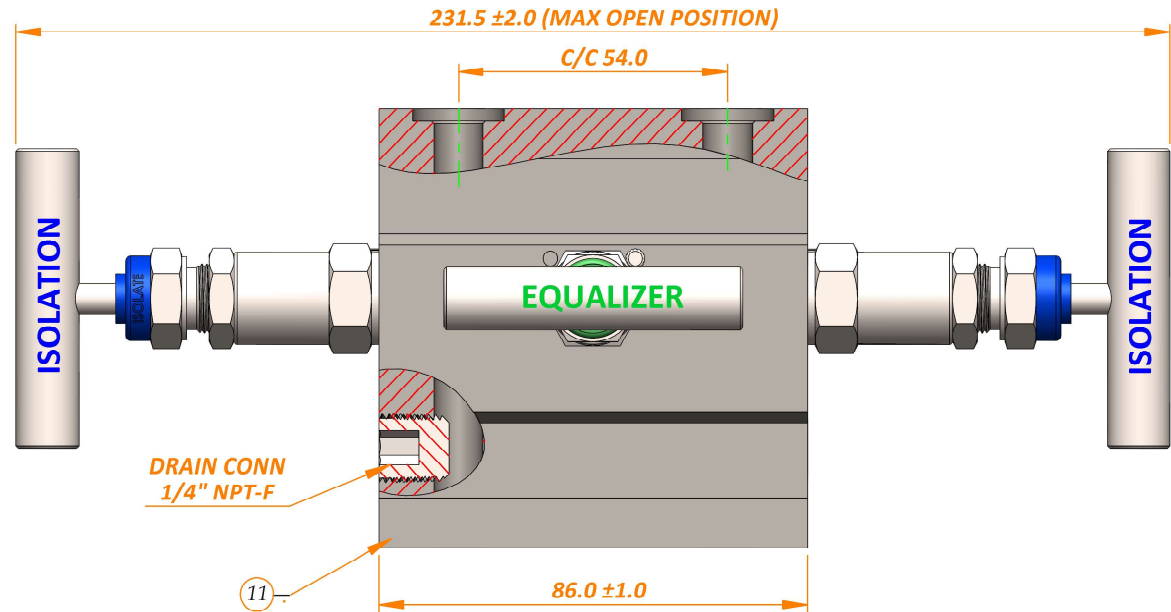
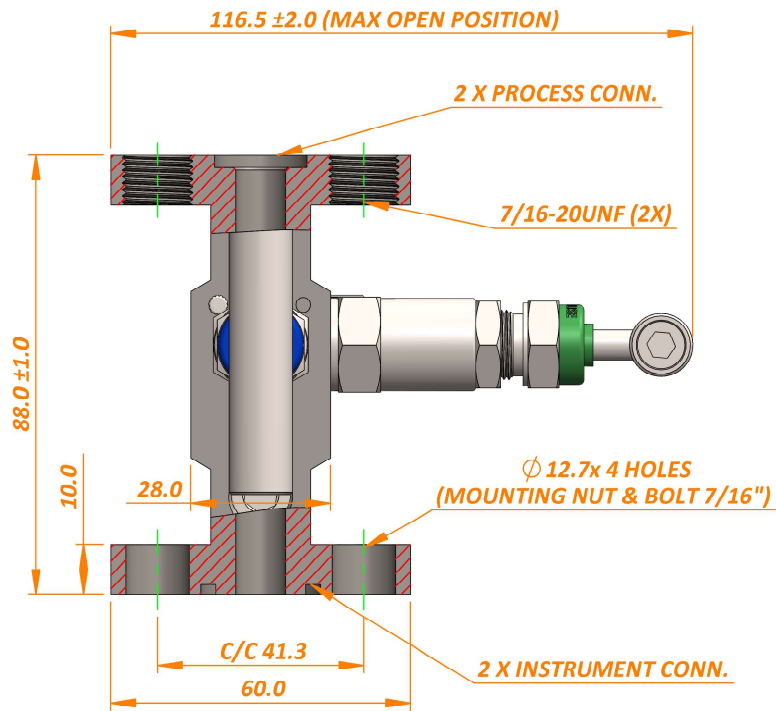


REV	DATE	DESCRIPTION	DRAWN	APPROVED
00	02/05/19	Drawing Issued	VSM	MRD



11	VALVE BODY	ASTM A182 F316	1
10	PACKING	PTFE	3
9B	BALL TIP	ASTM A276 Gr440C	3
9A	SPINDLE TIP	ASTM A276 Gr316	3
8	SPINDLE	ASTM A276 Gr316	3
7	PACKING WASHER	ASTM A276 Gr316	6
6	BONNET	ASTM A276 Gr316	3
5	LOCK NUT	SS	3
4	CHECK NUT	ASTM A276 Gr316	3
3	DUST CAP	PVC	3
2	HANDLE SCREW	SS	3
1	HANDLE	SS	3
ITEM NO.	PART NUMBER	MATERIAL	QTY.

Data Sheet

Connections:
 Process : FLG.
 Instrument : FLG.
 Drain : 1/4" NPT-F

M.A.W.P. : 413 bar @ 38°C
 Hydro-Testing(Shell) Pressure: 620 bar
 Hydro-Testing(Seat) Pressure: 455 bar
 Pneumatic(N2) Test Pressure: 70Kg/cm2
 Testing In Accordance with MSS-SP-99
 Screwed Bonnet Design

3 VALVE MANIFOLD FLANGE TO FLANGE

TTS

SHT.	OF	REV.	Drawn/Date	VSM - 02/05/2019
01	01	00	Checked/Date	MRD - 02/05/2019
			Approved/Date	RND - 02/05/2019
			SCALE	NTS

All Dimensions are in mm. Unless otherwise stated.

Material : SS316

DRAWING NO. :-
TTS-304T-32F11

* All dimensions are in mm. Dimensions for reference only and are subject to change without Prior Notice.
 * This document is the property of TTS.No exploitation or release of any text
 * Contained herein or relating to this document is permitted in any form without the written consent of TTS.