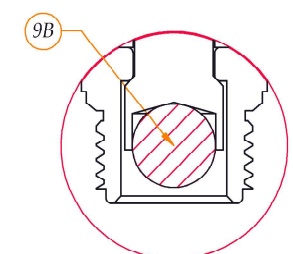
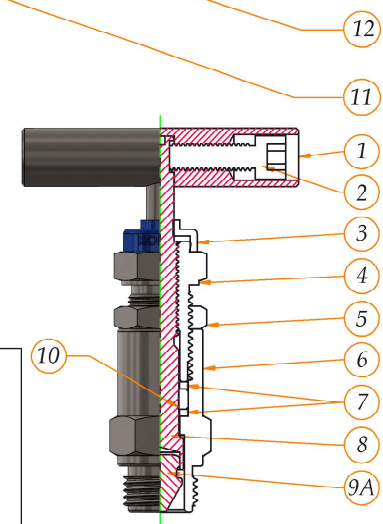
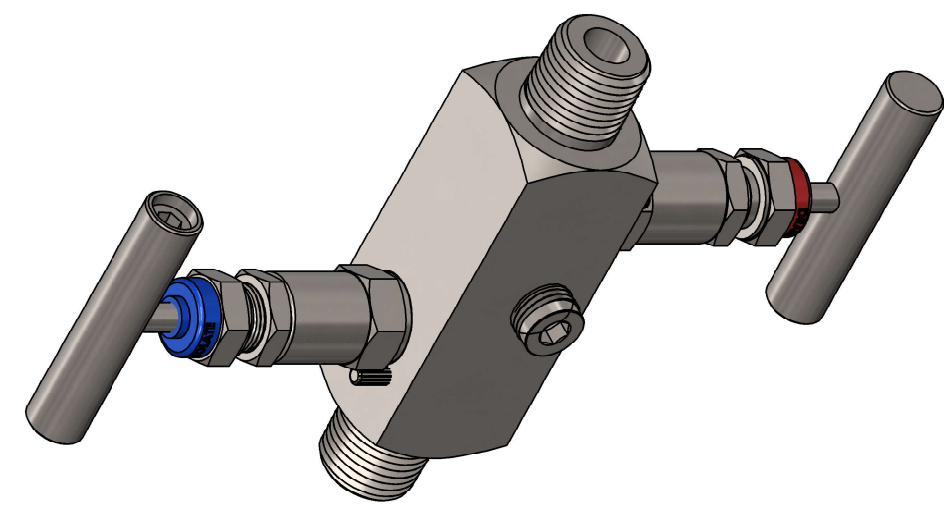
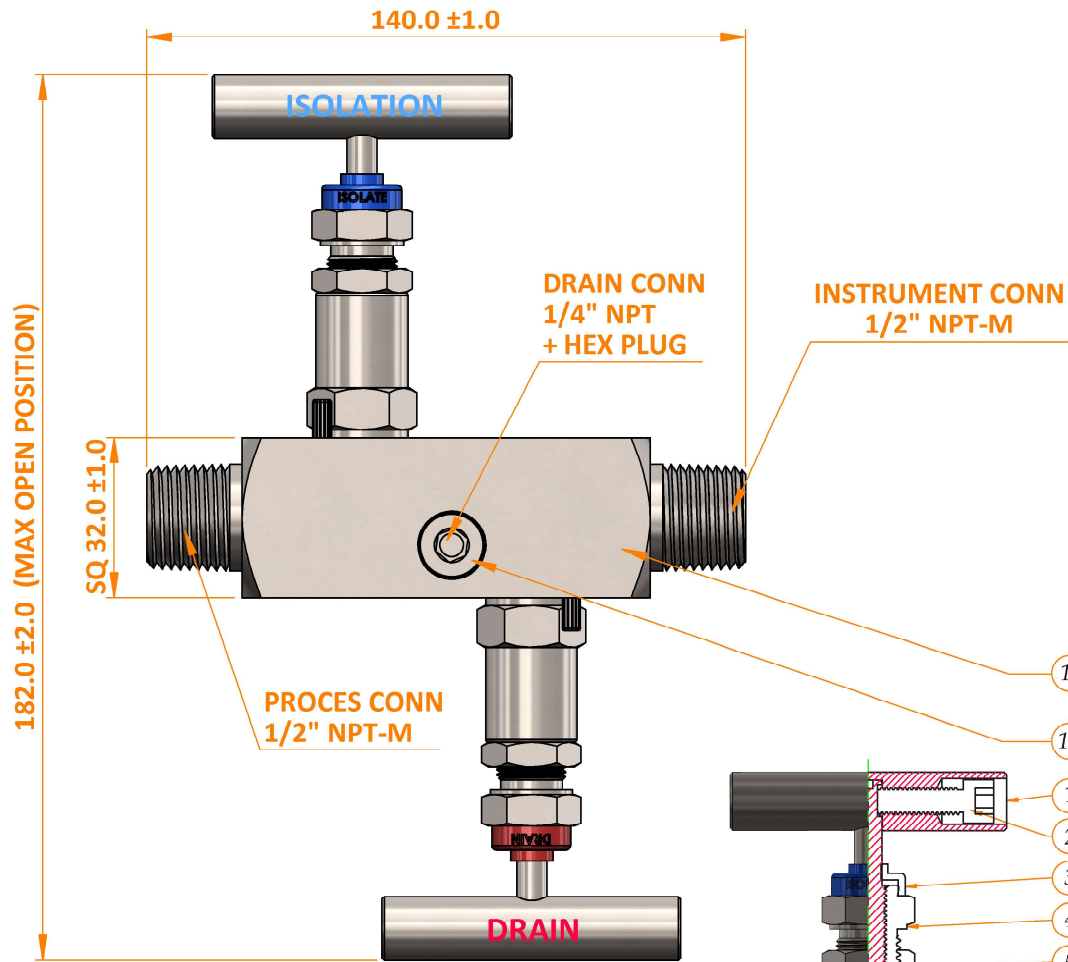


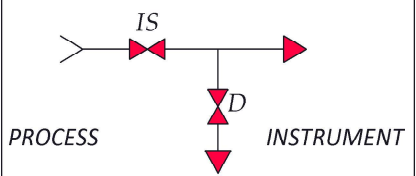
REV	DATE	DESCRIPTION	DRAWN	APPROVED
00	06/02/19	Drawing Issued	AUN	MRD



ITEM NO.	PART NUMBER	MATERIAL	QTY.
12	VALVE BODY	ASTM A182 F316	1
11	PLUG	ASTM A182 F316	1
10	PACKING	GFT	2
9B	BALL TIP	ASTM A276 Gr316	2
9A	SPINDLE TIP	ASTM A276 Gr316	2
8	SPINDLE	ASTM A276 Gr316	2
7	PACKING WASHER	ASTM A276 Gr316	4
6	BONNET	ASTM A276 Gr316	2
5	LOCK NUT	SS	2
4	CHECK NUT	ASTM A276 Gr316	2
3	DUST CAP	PVC	2
2	HANDLE SCREW	SS	2
1	HANDLE	SS	2

### Data Sheet

Connections:  
 Process : 1/2" NPT-M  
 Instrument : 1/2" NPT-M  
 Drain : 1/4" NPT-F  
 MAWP : 690 bar @ 38°C  
 Hydro-Testing(Shell) Pressure: 1035 bar  
 Hydro-Testing(Seat) Pressure: 759 bar  
 Pneumatic(N2) Test Pressure: 70Kg/cm2  
 Testing in Accordance with MSS-SP-99  
 Screwed Bonnet Design



BONNET ASSY

2 VALVE MANIFOLD- REMOTE MOUNT (M x M) 1/2" NPT  
 Working Pressure - 10,000 Psi



SHT.	OF	REV.	Drawn/Date	VSM - 06/02/2019
01	01	00	Checked/Date	MRD - 06/02/2019
			Approved/Date	JDP - 06/02/2019
			SCALE	NTS

All Dimensions are in mm. Unless otherwise stated.  
 Material : SS316  
 DRAWING NO.:-

TTS-306T-22AA11

\* All dimensions are in mm. Dimensions for reference only and are subject to change without Prior Notice.  
 \* This document is the property of TTS Valve Technologies Sdn. Bhd. No exploitation or release of any text  
 \* Contained herein or relating to this document is permitted in any form without the written consent of TTS.

PATH - E:\TTS Development\Design\Valve Manifold\2 VALVE MANIFOLD\TTS-2VM-RM-MM-3N-SS6