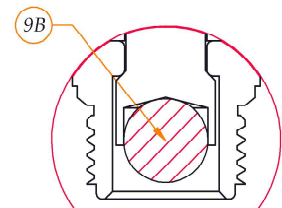
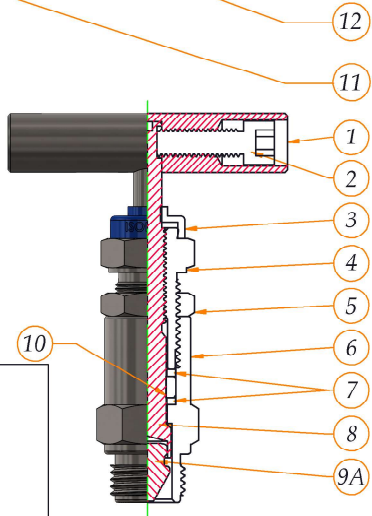
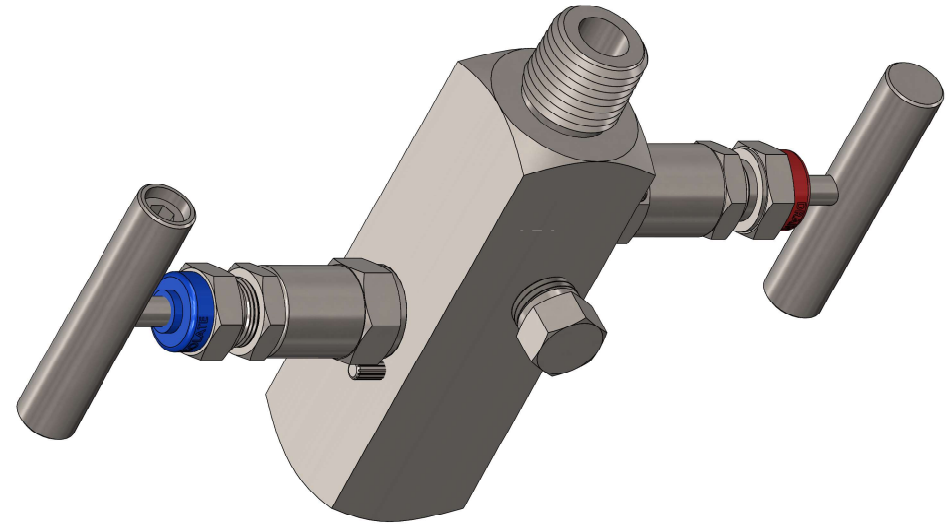
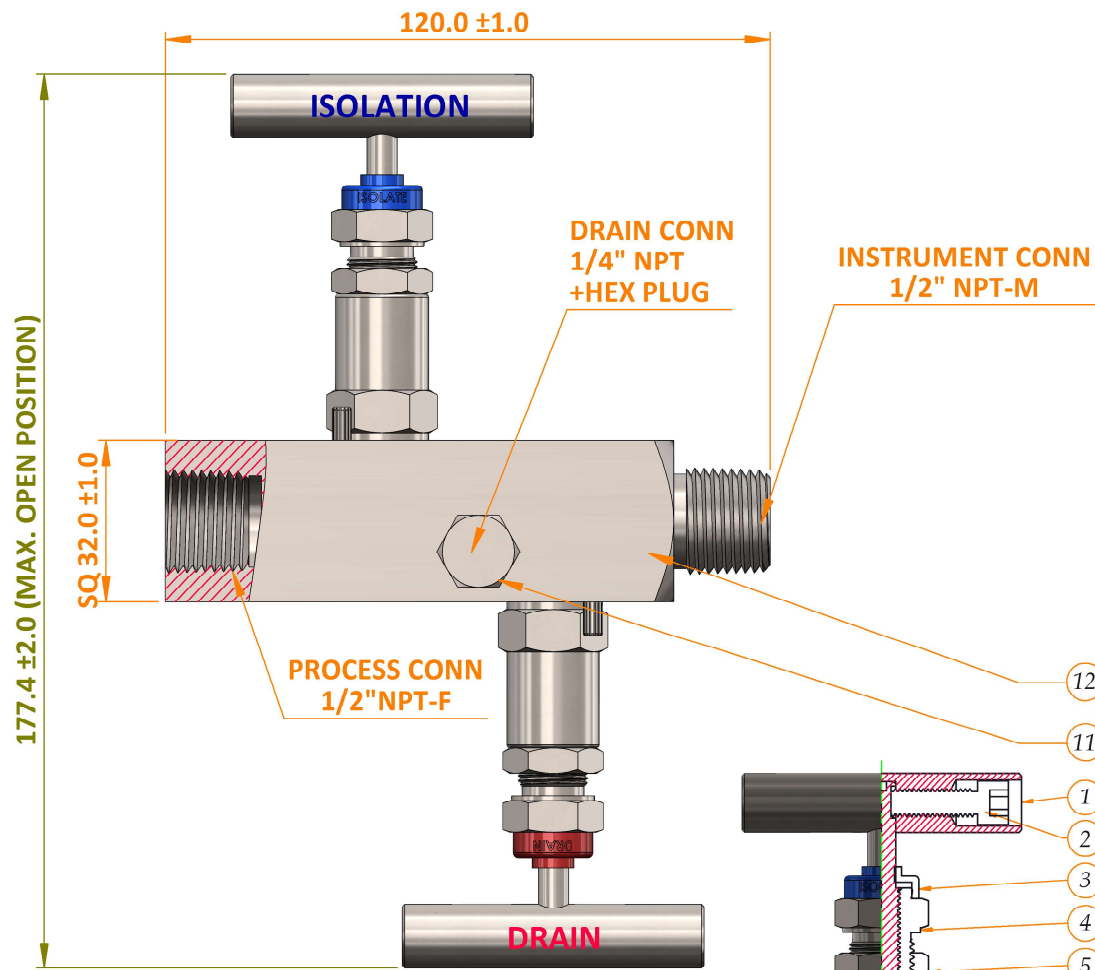


REV	DATE	DESCRIPTION	DRAWN	APPROVED
00	06/02/19	Drawing Issued	AUN	MRD

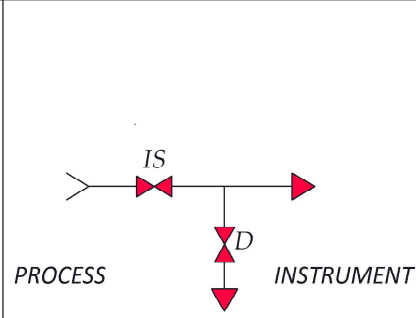


ITEM NO.	PART NUMBER	MATERIAL	QTY.
12	VALVE BODY	ASTM A182 F316	1
11	PLUG	ASTM A182 F316	1
10	PACKING	GFT	2
9B	BALL TIP	ASTM A276 Gr316	2
9A	SPINDLE TIP	ASTM A276 Gr316	2
8	SPINDLE	ASTM A276 Gr316	2
7	PACKING WASHER	ASTM A276 Gr316	4
6	BONNET	ASTM A276 Gr316	2
5	LOCK NUT	SS	2
4	CHECK NUT	ASTM A276 Gr316	2
3	DUST CAP	PVC	2
2	HANDLE SCREW	SS	2
1	HANDLE	SS	2

Data Sheet

Connections:
 Process : 1/2"NPT-F
 Instrument : 1/2" NPT-M
 Drain : 1/4" NPT-F

MAWP : 690 bar @ 38°C
 Hydro-Testing(Shell) Pressure: 1035 bar
 Hydro-Testing(Seat) Pressure: 760 bar
 Pneumatic(N2) Test Pressue: 70Kg/cm2
 Testing in Accordance with MSS-SP-99
 Screwed Bonnet Design



BONNET ASSY

2 VALVE MANIFOLD- REMOTE MOUNT (F XM) 1/2"NPT
 Working Pressure - 10,000 Psi



SHT.	OF	REV.	Drawn/Date	AUN - 06/02/2019
01	01	00	Checked/Date	MRD - 06/02/2019
			Approved/Date	JDP - 06/02/2019
			SCALE	NTS

All Dimensions are in mm. Unless otherwise stated.
 Material : SS316

DRAWING NO.:-
TTS-306T-22BA11

* All dimensions are in mm. Dimensions for reference only and are subject to change without Prior Notice.
 * This document is the property of TTS Valve Technologies Sdn. Bhd.No exploitation or release of any text
 * Contained herein or relating to this document is permitted in any form without the written consent of TTS.

PATH - E:\TTS Development\Design\Valve Manifolds\2 VALVE MANIFOLD\TTS-2VM-RM-8N-SS